

FLOOR STAND SR-FS4

The SR-FS4 Floor Stand is designed exclusively for use with a stack of 2 SR-S4L Line Array Speakers. Mounted on casters with lock, it can be easily moved.

Note
To link 2 SR-S4L speakers, an optional SR-EP4 Extension Plate is needed.

1. SAFETY PRECAUTIONS

- Before installation or use, be sure to carefully read all the instructions in this section for correct and safe operation.
- Be sure to follow all the precautionary instructions in this section, which contain important warnings and/or cautions regarding safety.
- After reading, keep this manual handy for future reference.

WARNING
Indicates a potentially hazardous situation which, if mishandled, could result in death or serious personal injury.

- Avoid installing or mounting the unit in unstable locations, such as on a rickety table or a slanted surface. Doing so may result in the unit falling down and causing personal injury and/or property damage.
- Tighten each bolt securely. Ensure that the unit has no loose joints after installation to prevent accidents that could result in personal injury.
- Move the unit slowly on a flat floor. Moving it on a slanted or uneven floor may cause the unit falling down, resulting in personal injury.

CAUTION
Indicates a potentially hazardous situation which, if mishandled, could result in moderate or minor personal injury, and/or property damage.

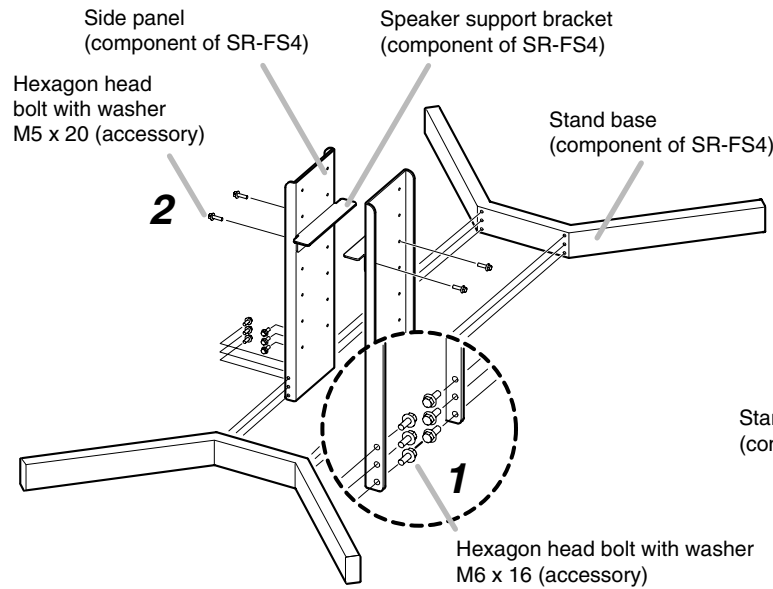
- Install the unit only in stable locations, and lock the casters. If it falls down or moves, this may cause personal injury and/or property damage.
- Avoid placing the unit and speaker cables in a doorway or other high traffic area as people may trip on the unit or cables. Doing otherwise may cause the unit falling down, resulting in personal injury.
- Do not stand or sit on, nor hang down from the unit as this may cause it to fall down or drop, resulting in personal injury and/or property damage.
- Avoid touching the unit's sharp metal edge to prevent injury.

2. ASSEMBLING THE STAND

Step 1. Attach the side panels to the stand bases. Tighten the fixing bolts loosely, not firmly.

Step 2. Mount the speaker support brackets to the side panels.

Note
The stand height or speaker elevated height can be adjusted in 5 steps (6 cm per step) by changing the bracket mounting position. Change the bracket position as required.
The bracket position in the assembly diagram below allows the speakers to be elevated highest above the floor. Normally, mount the brackets at this position.



Step 3. Attach the casters to the stand bases.

Step 4. Remove the 8 screws on both sides of the lower speaker.

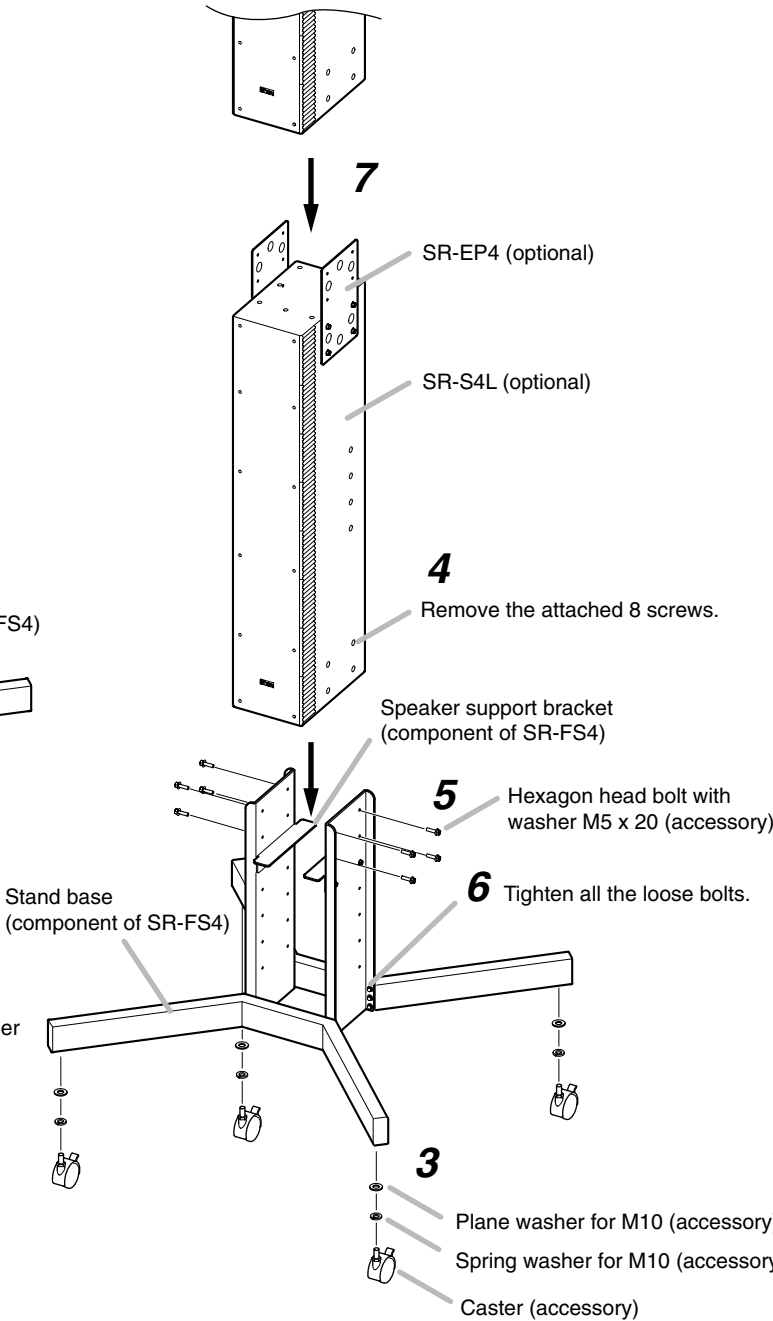
Note
The removed screws are not used.

Step 5. Install the lower speaker first. Put the speaker on the speaker support brackets, then fix it with the supplied 8 hexagon head bolts.

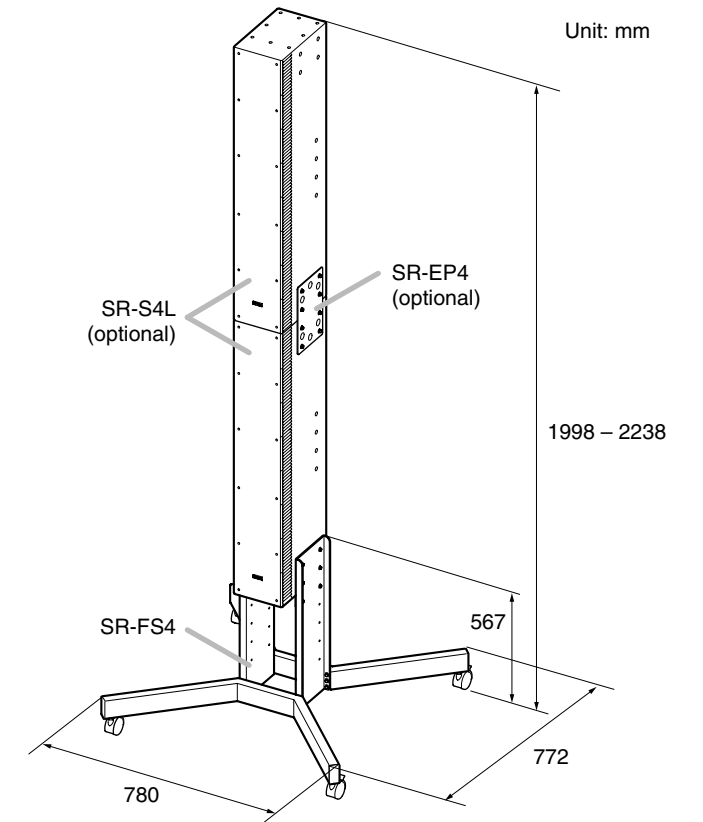
Step 6. Tighten the bolts loosely screwed in Step 1. Confirm in advance that the 4 casters do not rattle on the flat floor.

Step 7. Install the upper speaker. Join upper and lower speakers together using the optional SR-EP4 Extension Plate.

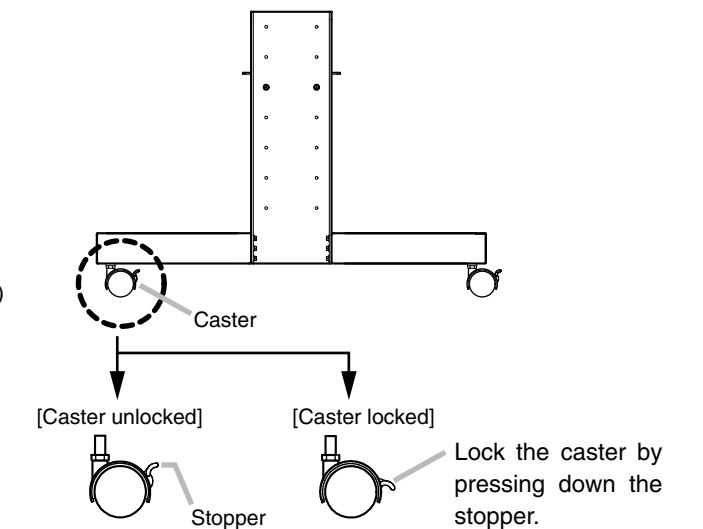
Note
For the joint method, refer to the instruction manual included with the SR-S4L speaker.



[Finished assembly diagram]



3. HOW TO LOCK CASTERS



4. SPECIFICATIONS

Applicable Speaker	SR-S4L (to be mounted with 2 speakers linked together)
Finish	Steel plate, white, paint
Dimensions	780 (w) x 567 (h) x 772 (d) mm (completely assembled)
Weight	12 kg (including accessories)
Product Composition	Stand base 2, Side panel 2, Speaker support bracket 2

- Accessories**
- Caster 4
 - Plane washer for M10 4
 - Spring washer for M10 4
 - Hexagon head bolt M5 x 20 (with washer) 12
 - Hexagon head bolt M6 x 16 (with washer) 12

- Option**
Extension plate: SR-EP4

Note: The design and specifications are subject to change without notice for improvement.